



Automatic cup waterer (layers) BAGJ0109001

Capacity

- ◆ 1 a 8 layers.

Characteristics

- ◆ This product is appropriate to be used during the laying cycle.
- ◆ Layer controls the flow of water by pushing the trigger.
- ◆ Easy installation, directly to the main pipe or suspended from the cage.
- ◆ Reduced risk of over flow and water spills.

Advantages

- ◆ Constant water flow allows better hydration.
- ◆ Stainless steel cap protects threads preventing ruptures.
- ◆ JAT cup has no spring thus reducing water spills.
- ◆ Manufactured with Acrylonitrile butadiene styrene (*ABS) for hard thermoplastic, heat and impact resistant, non-toxic and odorless, super waterproof and wear-resistant.
- ◆ Can be installed in any type of pyramidal cage system.
- ◆ Full after sales service and stock spare parts available.

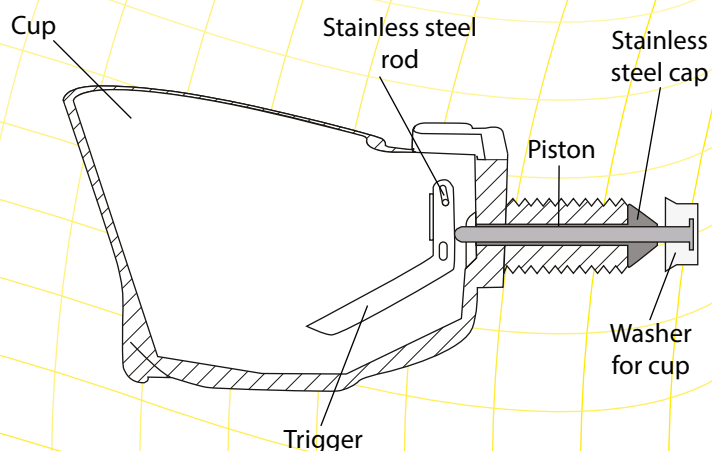
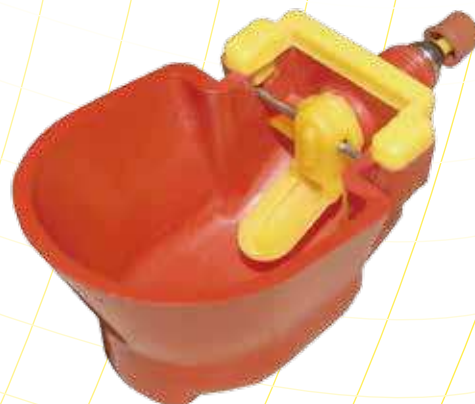
Cleaning system

- ◆ Easy to clean and disinfect to maintain high hygiene status of the flock.

Material

Acrylonitrile butadiene styrene (*ABS)

*Hard thermoplastic, heat and impact resistant



Components



CNXX0104001
Long neck saddle



CNXX0104002
Saddle (Special)



MTLX0103003
Washer for cup drinker



MTLX0103021
2.9 cm Short piston



MTLX0103022
3.1 cm Large piston



MTLX0103017
Adapter for hart cup



MTLX0203011
Washer for hart cup adapter



Packaging



- Box
- Capacity: 300 pieces.
 - Weight: 13.20 kg.
 - Long: 27.0 cm.
 - Width: 28.0 cm.
 - Height: 34.0 cm.

Complementary products



BAIJ0109001
Initiation automatic cup
waterer (baby chicken).



FPAV0104001
1" Water filter



Prolife automatic
drinker system



BTGX0504001
Manure belt



PVC Pipes and
connections



JPGP0204001
Pyramidal layers cage