



## Feeder / drinker 250 ml, 500 ml y 900 ml. BCGX0104001, BCGX0104002, BCGX0104003

### Characteristics

- ◆ For use on cage.
- ◆ Ultra-smooth surface for easy cleaning.
- ◆ Lightweight and very resistant material.

### Capacity

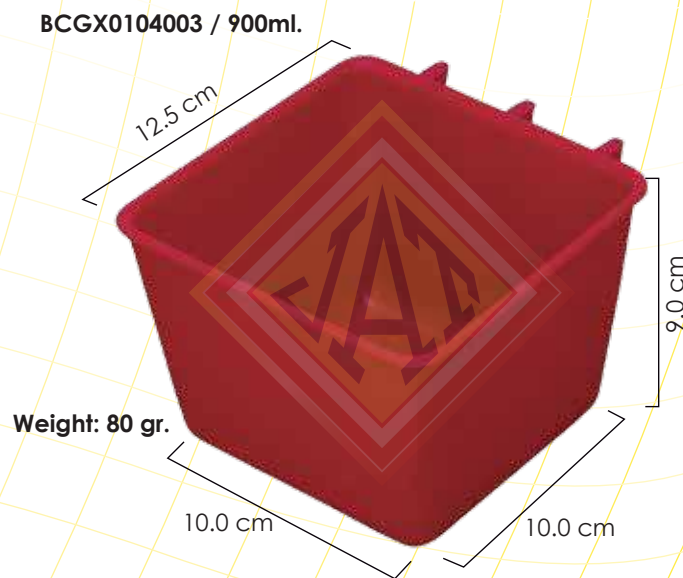
- ◆ 250, 500, 900 milliliters.

### Advantages

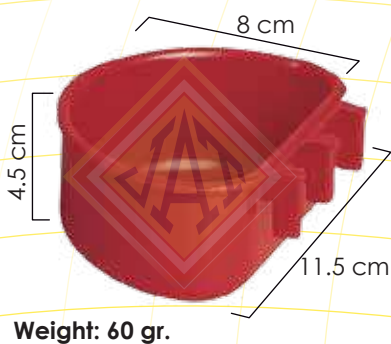
- ◆ Economic.
- ◆ Versatily.
- ◆ Hygiene.

### Material

- ◆ Polyethylene of the highest quality conditioning with UV protection, UVR and antioxidants that give it a longer duration in any environment.



BCGX0104001 / 250ml.



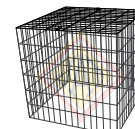
BCGX0104002 / 500ml.



### Complementary



CPGX0204001  
Box for rooster.



RPGX0204001  
Cage for rooster.

### Packing

250 ml. (box)		250 ml. (bag)		500 ml. (box)		500 ml. (bag)		900 ml. (box)		900 ml. (bag)	
- Capacity:	600 pcs.	- Capacity:	200 pzs.	- Capacity:	500 pzs.	- Capacity:	100 pzs.	- Capacity:	500 pzs.	- Capacity:	100 pzs.
- Weight:	37.3 kg.	- Weight:	11.8 kg.	- Weight:	36 kg.	- Weight:	6.9 kg.	- Weight:	43.5 kg.	- Weight:	8.40 kg.
- Long:	70 cm.	- Long:	54 cm.	- Long:	70 cm.	- Long:	12 cm.	- Long:	70 cm.	- Long:	13 cm.
- Width:	57 cm.	- Width:	30 cm.	- Width:	57 cm.	- Width:	42 cm.	- Width:	57 cm.	- Width:	49 cm.
- High:	79 cm.	- High:	81 cm.	- High:	79 cm.	- High:	85 cm.	- High:	79 cm.	- High:	92 cm.