



Steel stainless and plastic nipple drinker for rabbit. BPCX0303001

Characteristics

- ◆ With 5/8" plastic pivot for installation.

Capacity

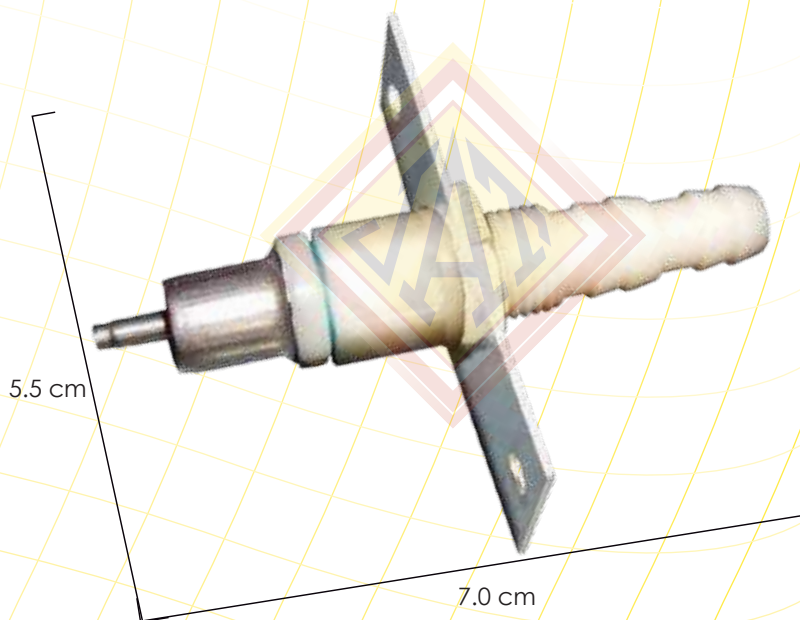
- ◆ 1 Nipple supplies 3 to 4 rabbits.

Advantages

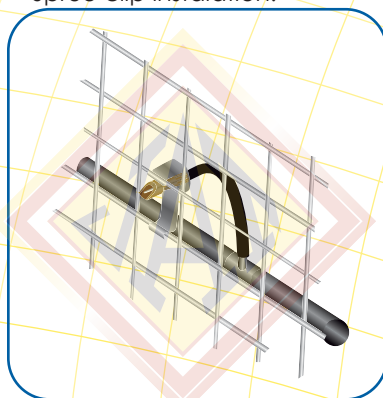
- ◆ Resistant to oxidation.
- ◆ Easy to install.
- ◆ High flow.

Material

- ◆ Plastic and stainless steel.



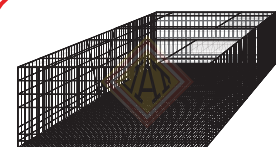
*Sprue clip instalation.



Packing

- Capacity: pcs.
- Weight: kg.
- Long: cms.
- Width: cms.
- High: cms.

Complementary



JPCO0204001
Cage for rabbit 70x70x30.



CPLX0204001
Breeder for piglet.



BPCX0203006
Sprue clip for rabbit.



MTLX0104001
1/4" PVC hose.



CNXX0104013



CNXX0104002