



Steel stainless nipple drinker for rabbit BPCX0303002

Characteristics

- ◆ With 5/8" stainless steel pivot.

Capacity

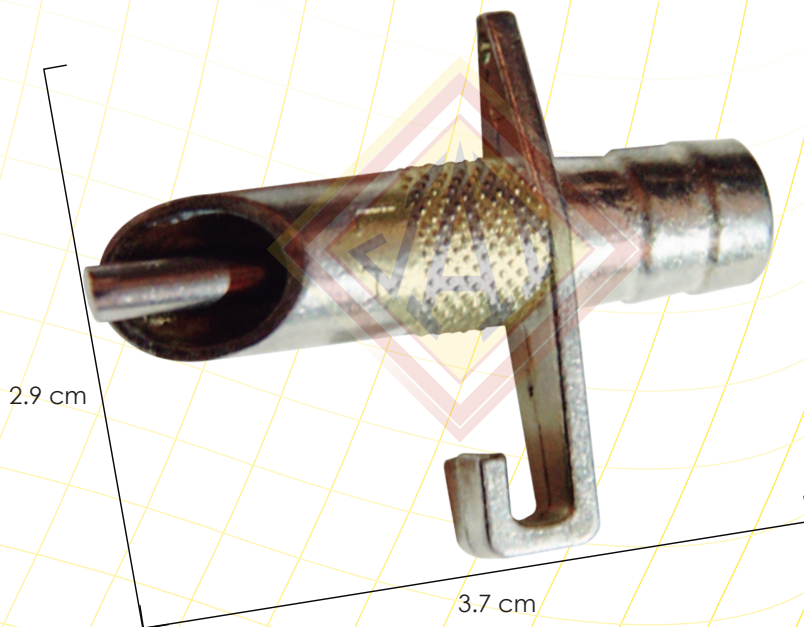
- ◆ 1 Nipple supplies 3 to 4 rabbits.

Advantages

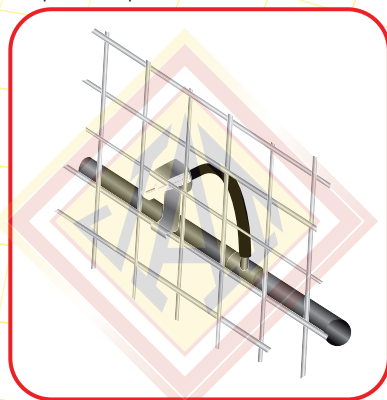
- ◆ Resistant to oxidation.
- ◆ Easy to install.
- ◆ High flow.

Material

- ◆ Stainless steel.



*Sprue clip installation.



Packing

- Capacity: pcs.
- Weight: kg.
- Long: cms.
- Width: cms.
- High: cms.

Complementary

| | | | | | |
|---|---|--|---|---|---|
|  <p>JPCO0204001 Cage for rabbit 70x70x30.</p> |  <p>CPLX0204001 Breeder for piglet.</p> |  <p>BPCX0203006 Sprue clip for rabbit.</p> |  <p>MTLX0104001 1/4" PVC hose.</p> |  <p>CNXX0104013</p> |  <p>CNXX0104002</p> |
|---|---|--|---|---|---|