



Drinker / Feeder for dog. BCPX0104009

Characteristics

- ◆ Ultra smooth surface for easy cleaning.
- ◆ Light and resistant material.

Capacity

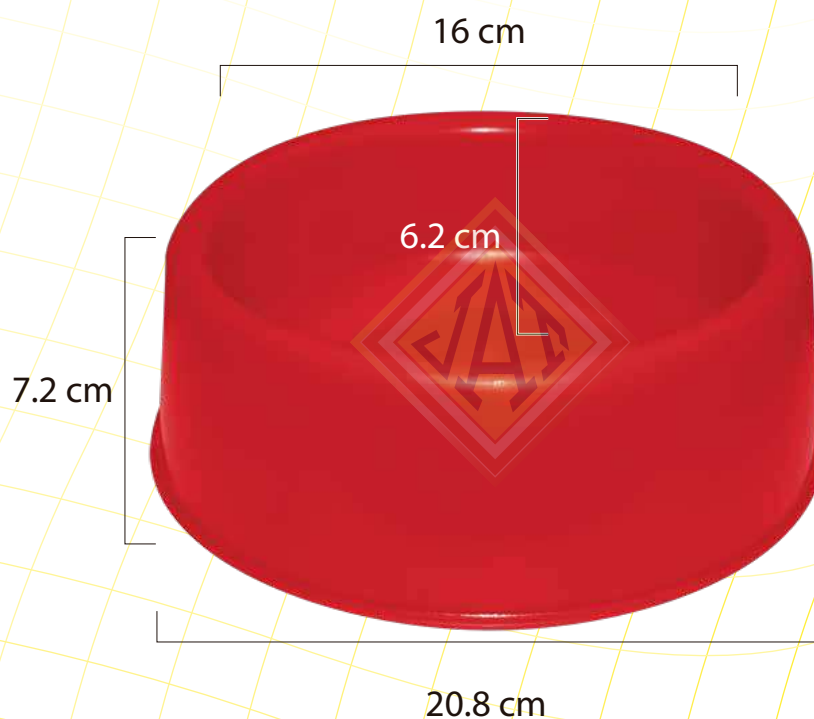
- ◆ 1 liter of water or 1 kg. of food.

Material

- ◆ Post-Industrial Polypropylene.

Advantages

- ◆ Economy.
- ◆ Versatility.
- ◆ Hygiene.



Weight: 174.60 gr.

Packing

Bag



- Capacity: 50 pcs.
- Weight: 8.90 kg.
- Long: .21 mts.
- Width: .42 mts.
- High: .73 mts