



## Lineal feeder with grid for chicken 33 cm. CTXX0204003

### Capacity

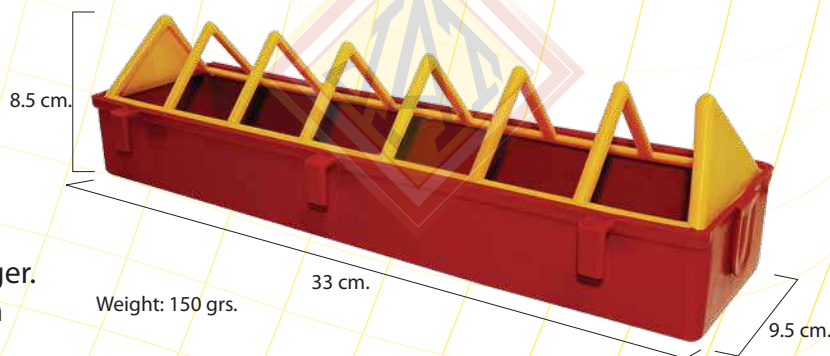
- ◆ Recommended use for up to 14 chicks.
- ◆ Useful for the initiation stage, from 0 to 12 days.
- ◆ Food storage: 0.7 kg.

### Advantages

- ◆ Its grid facilitates access to food and allows chicks to eat perfectly aligned.
- ◆ The chicken is educated to eat in feeder and not on the floor.
- ◆ Facilitation of parts and spare parts services.
- ◆ It can be joined with one another to make it longer.
- ◆ The design of the dish prevents the chicken from getting into or wasting the food.
- ◆ It can be hung easily in any cage.

### Material

- ◆ High quality polyethylene conditioned with UV, UVR protection and antioxidant that gives longer life in any environment.



### Components



Grill for 33 cm. feeder lineal.



33 cm. Feeder lineal pan.

### Complementary Products



BAIP0109003  
Automatic round drinker.



BMXX0109001  
Manual galon drinker.



Electric brooder  
from 1 to 5 levels.

### Packing

Box



- Capacity:	100 pcs.
- Weight:	51 kg.
- Long:	75 cm.
- Width:	39 cm.
- High:	79 cm.
- Dimension. M3:	.32 m3.