



Lineal feeder with grid for chicken 23 cm. CTXX0204004

Capacity

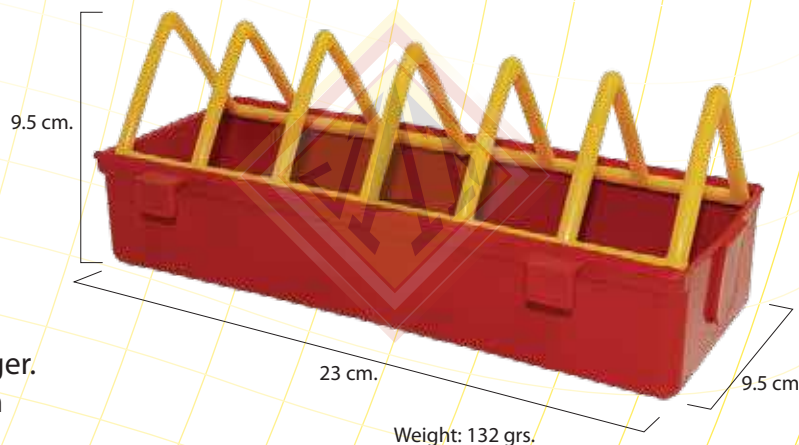
- ◆ Recommended use for up to 12 chicks.
- ◆ Useful for the initiation stage, from 0 to 12 days.
- ◆ Food storage: 0.5 kg.

Advantages

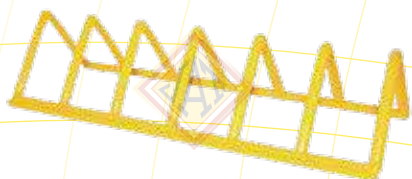
- ◆ Its grid facilitates access to food and allows chicks to eat perfectly aligned.
- ◆ The chicken is educated to eat in feeder and not on the floor.
- ◆ Facilitation of parts and spare parts services.
- ◆ It can be joined with one another to make it longer.
- ◆ The design of the dish prevents the chicken from getting into or wasting the food.
- ◆ It can be hung easily in any cage.

Material

- ◆ High quality polyethylene conditioned with UV, UVR protection and antioxidant that gives longer life in any environment.



Components



Grill for 23 cm. feeder lineal.



23 cm. Feeder lineal pan.

Complementary Products



BAIP0109003
Automatic round drinker.



BMXX0109001
Manual galon drinker.



Electric brooder
from 1 to 5 levels.

Packing

Box



- Capacity: 100 pcs.
- Weight: 51 kg.
- Long: 75 cm.
- Width: 39 cm.
- High: 79 cm.
- Dimension. M3: .32 m3.